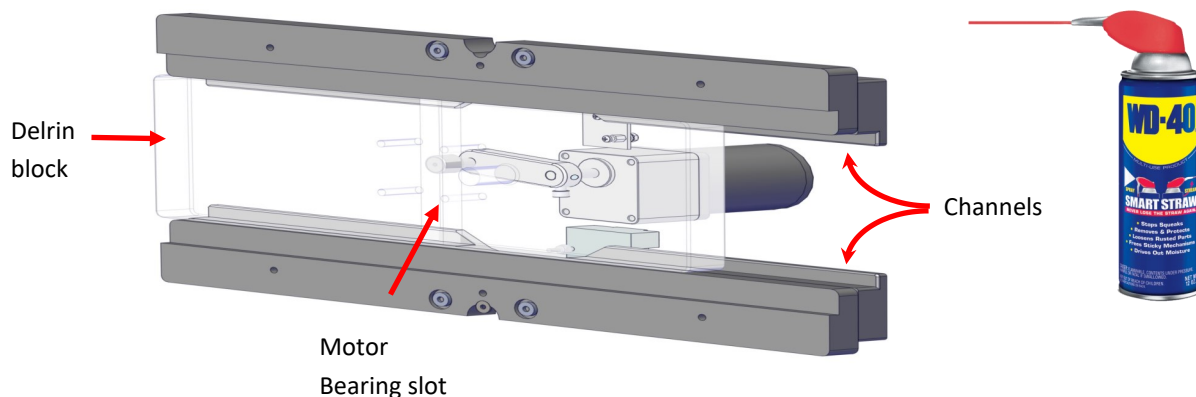


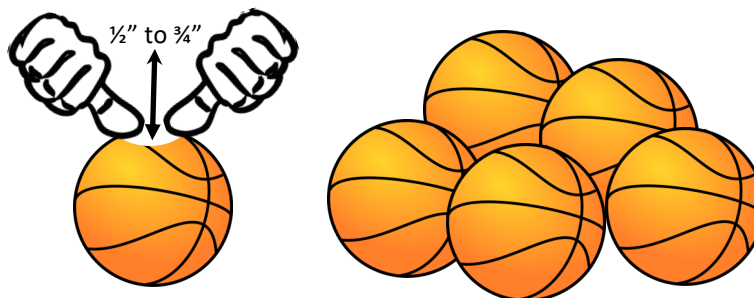
Back Board Maintenance - Game Time / Hoop FX

The hoop assembly moves left and right by two Delrin blocks that ride on a HPDE channel. After a period of time it might become necessary to lubricate these parts to allow smooth operation. We suggest spraying WD-40 into the grooves and on the Delrin blocks where it contact the HPDE channel.



Ball Inflation

We suggest that all of our basket ball games have five basket balls loaded into them for the best play experience. Each ball should be inflated so that when you push down with your two thumbs, the ball should depress about $\frac{1}{2}$ " to $\frac{3}{4}$ ". If you bounced the ball, it should only bounce one full time. Too much pressure will cause the balls to bounce out of the machine while too little will give the player a poor experience.



NBA Hoops Ball gate issues

It has come to our attention that the flow chart printed in our manual to trouble shoot the ball gate is truncated in some spots. Here is the flow chart with no truncation. Future manuals have this error corrected.

GAME TROUBLESHOOTING FLOWCHART V2.0

